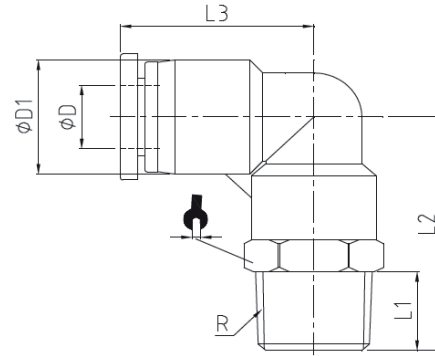




## RACCORDS INSTANTANÉS POLYMÈRES

### SÉRIE RP72K - RACCORD COUDÉ ORIENTABLE AVEC FILETAGE MÂLE BSP CONIQUE



Réf. Air-techniques	øD	G"	L1	L2	L3	øD1		
RP72K1804	4	R1/8	7.5	20.5	19	11.5	10	10
RP72K1404	4	R1/4	9.5	20	19	11.5	14	10
RP72K3804	4	R3/8	10.5	21	19	11.5	17	10
RP72K1806	6	R1/8	7.5	21.5	19.2	13.5	10	10
RP72K1406	6	R1/4	9.5	21	19.2	13.5	14	10
RP72K3806	6	R3/8	10.5	22	19.2	13.5	17	10
RP72K1206	6	R1/2	13.5	25.5	19.2	13.5	21	10
RP72K1808	8	R1/8	7.5	22.2	22.5	15	12	10
RP72K1408	8	R1/4	9.5	21.7	22.5	15	14	10
RP72K3808	8	R3/8	10.5	22.7	22.5	15	17	10
RP72K1208	8	R1/2	13.5	26.2	22.5	15	21	10
RP72K1810	10	R1/8	7.5	26.9	27.8	19	14	10
RP72K1410	10	R1/4	9.5	28.4	27.8	19	14	10
RP72K3810	10	R3/8	10.5	24.7	27.8	19	17	10
RP72K1210	10	R1/2	13.5	28.2	27.8	19	21	10
RP72K1812	12	R1/8	7.5	28.2	29.5	21.5	15	10
RP72K1412	12	R1/4	9.5	29.7	29.5	21.5	15	10
RP72K3812	12	R3/8	10.5	26	29.5	21.5	17	10
RP72K1212	12	R1/2	13.5	29.5	29.5	21.5	21	10
RP72K3814	14	R3/8	10.5	40.5	30.5	23.5	22	10
RP72K1214	14	R1/2	10	42.5	30.5	23.5	22	10
RP72K1215	15	R1/2	13.5	43.5	33	26.5	24	10
RP72K1216	16	R3/8	10.5	44	33	26.5	24	10
RP72K1216	16	R1/2	13.5	47	33	26.5	24v	10